

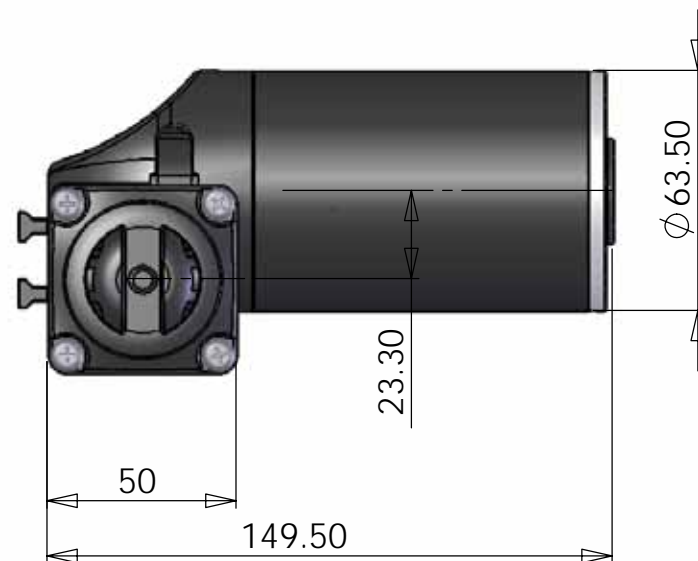
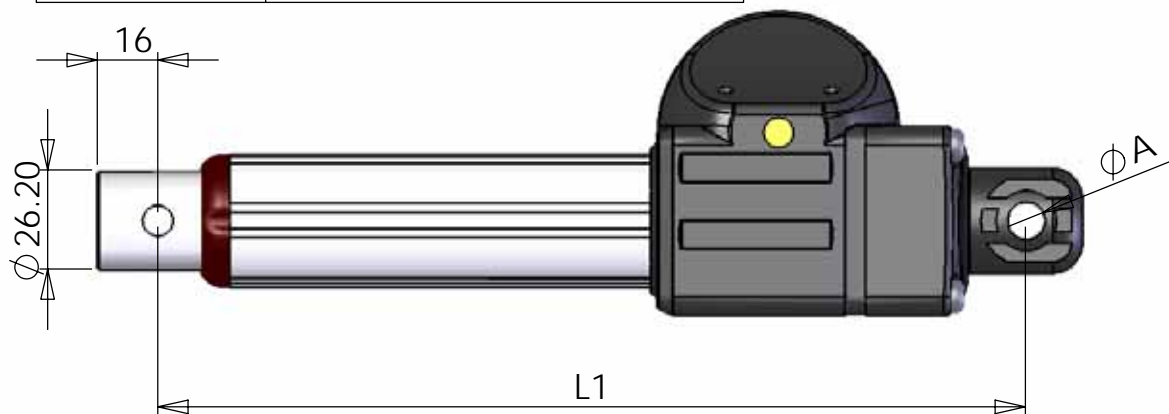
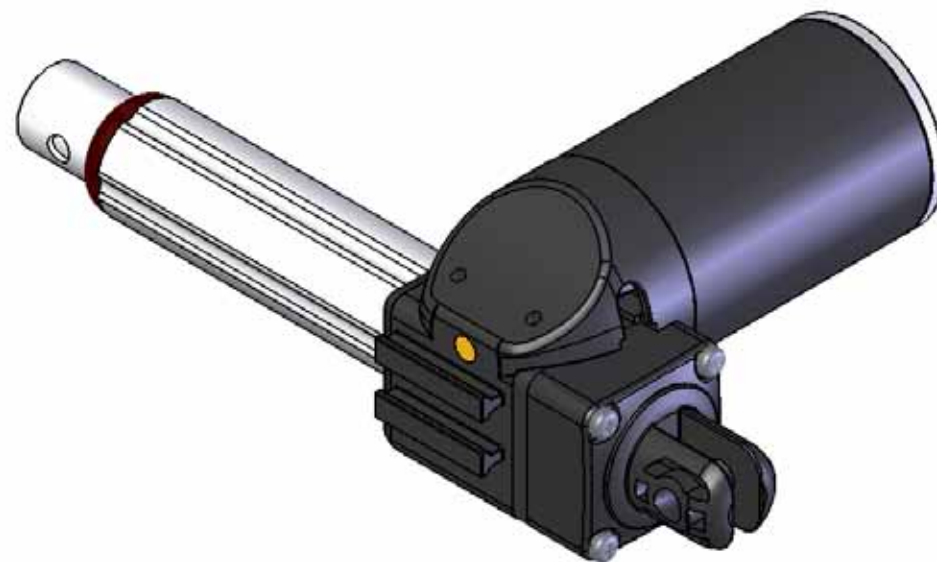
standard

90°turn



Note&Options

Volt.	24VDC
Rated Amp	3.0A
Gear ratio	1:40
ACME screw	1"-8T
Load capacity	2500N
Full load speed	3.5~4.5mm/s
Limit switch	Adjustable
Dimension-A	8.1&10.1
Formula	$S(\text{max.stroke})=L1(\text{Retracted})-140$



TITLE: JM22 Assembly

J'STAR

捷世達電機(昆山)有限公司

TEL:+86-512-57471286
FAX:+86-512-57471287

J-STAR MOTOR (KunShan) Co., LTD
江蘇省昆山市千燈鎮千淀公路98號

REV	A
SCALE	FREE
UNIT	mm
3RD	